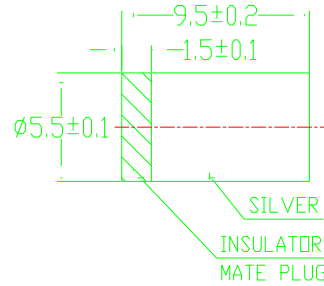
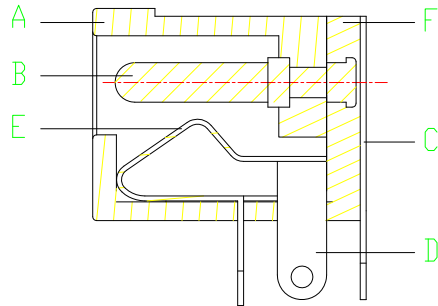
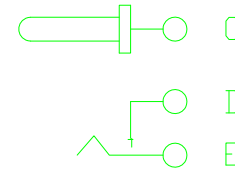
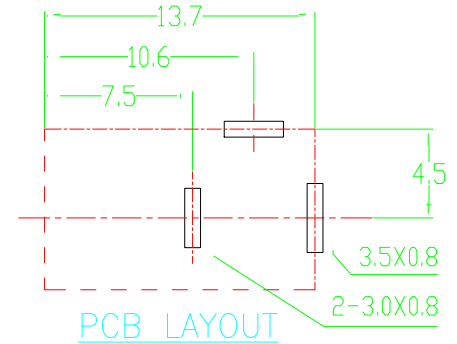
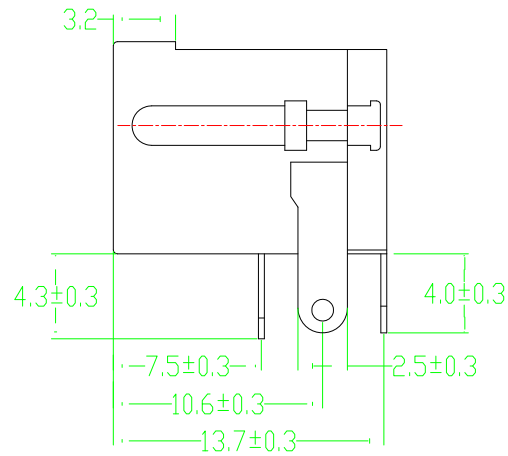
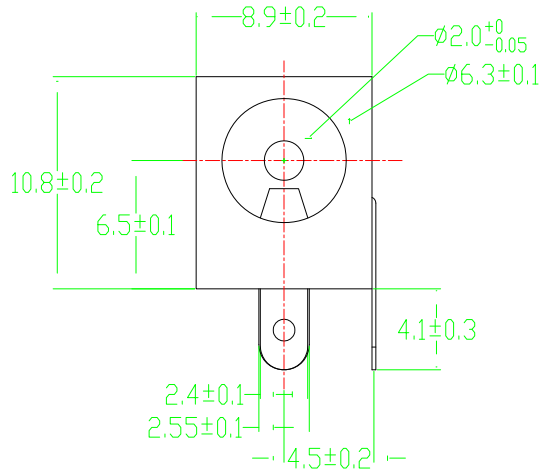


## SPECIFICATION


A: MATERIAL:

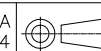
1. HOUSING: PBT, UL 94V-0
2. TERMINAL: BRONZE, SILVER-PLATED



| NO | DESCRIPTION     | MATERIAL        | QTY | PLATING      |
|----|-----------------|-----------------|-----|--------------|
| A  | HOUSING         | PBT             | 1   |              |
| B  | PIN             | BRONZE BAR      | 1   | NICKEL 2.5UM |
| C  | PIN TERMINAL    | BRONZE          | 1   | SILVER 0.5UM |
| D  | BREAK TERMINAL  | BRONZE          | 1   | SILVER 0.5UM |
| E  | SLEEVE TERMINAL | PHOSPHOR BRONZE | 1   | SILVER 0.5UM |
| F  | COVER           | PBT             | 1   |              |

| 5   |            |          |              |
|-----|------------|----------|--------------|
| 4   |            |          |              |
| 3   |            |          |              |
| 2   |            |          |              |
| 1   | 2015.12.03 | RELEASE  | NEW REVISION |
| REV | DATE       | DOCUMENT | DESCRIPTION  |

|  |  |           |  |           |  |
|--|--|-----------|--|-----------|--|
|  <b>力瑋實業股份有限公司</b><br><b>INALWAYS CORPORATION</b> |  | PART NO.: |  | NAME:     |  |
|  |  | DC-005-Y  |  | DCJACK    |  |
| TOLERANCE UNLESS OTHERWISE MARKED  |  |           |  | MATERIAL: |  |
| DIMENSION:   |  |           |  | SEE ABOVE |  |
| ANGULAR:   |  |           |  | SPEC.:    |  |
| .000 : ±0.1  |  |           |  | APPROVED  |  |
| .00 : ±0.2   |  |           |  | CHECKED   |  |
| .0 : ±0.3  |  |           |  | DESIGNER  |  |
|  |  |           |  | NOTE:     |  |
|  |  |           |  | DOC.#:    |  |
|  |  |           |  | SDC-0001  |  |



UNIT: mm  
SCALE: 1 : 1  
SHEET: 1 of 1