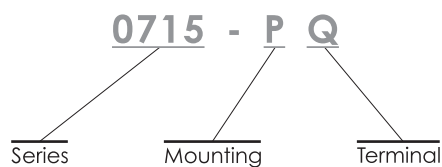
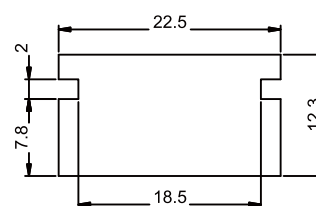
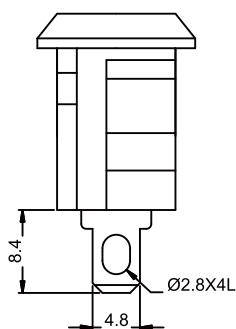
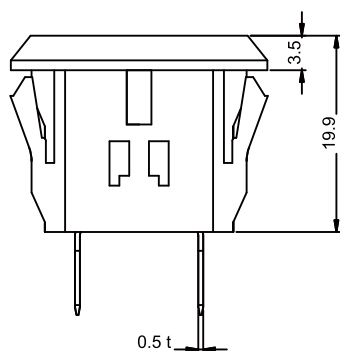
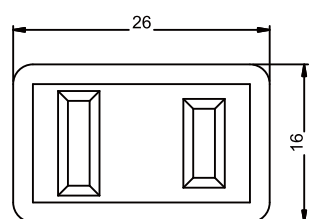


# 0715 Series



▶ Specification	▶ Outlet
<b>Power Rating</b>	15A 125V AC
<b>Electric Strength</b>	AC 2,000V for 1 Minute
<b>Contact Resistance</b>	30MΩ Max.
<b>Insulation Resistance</b>	100MΩ Min. at 500V DC
<b>Operating Temperature</b>	+60°C
<b>Materials</b>	Thermoplastic UL Flammability 94V-0 & Copper Alloy
<b>Mounting</b>	P : Snap-In
<b>Terminal</b>	Q : Solder Tab (4.8 x 0.5)

Unit : mm



PANEL CUT-OUT