

# Inalways, Your Power to Lead

—— 好的電源設計從輸入領先 ——

**New Product**  
Power Module for PCB Mounting



2.5A 250V AC Europe & North America

7A 125V AC North America



**0721-SBPP**



(C8 + Switch SPST)

**0721-SBPS**



(C8, Polarized + Switch SPST)

**0724-SBPS**



(C6 + Switch SPST)

**0724-SHVD15**



(C6 + Switch DPST)

 力瑋實業股份有限公司  
INALWAYS CORPORATION

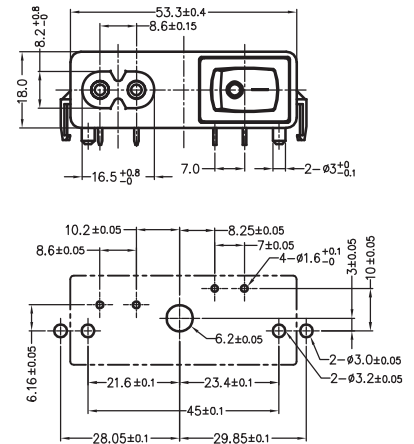
<http://www.inalways.com.tw>



## 0721-SBPP



**Power Rating** : 2.5A 250V~ Europe & North America  
7A 125V~ North America  
**Insulation Resistance** : 100M $\Omega$  Min, AT 500V DC  
**Electric Strength** : AC 2,000V for One Minute  
**Operating Temperature** : -25°C to +70°C  
**Main Unit Material** : Thermoplastic UL Flammability  
94V-0 & Copper Alloy



**PCB LAYOUT**  
THICKNESS 1.6mm

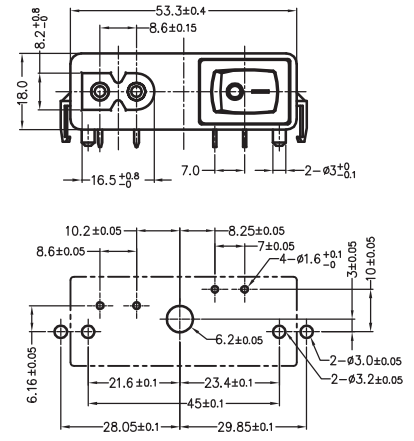


polarized

## 0721-SBPS



**Power Rating** : 2.5A 250V~ Europe & North America  
7A 125V~ North America  
**Insulation Resistance** : 100M $\Omega$  Min, AT 500V DC  
**Electric Strength** : AC 2,000V for One Minute  
**Operating Temperature** : -25°C to +70°C  
**Main Unit Material** : Thermoplastic UL Flammability  
94V-0 & Copper Alloy



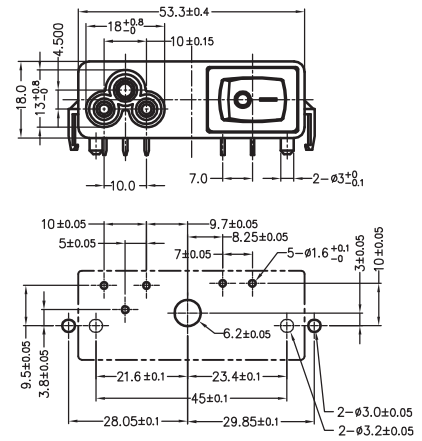
**PCB LAYOUT**  
THICKNESS 1.6mm



## 0724-SBPS



**Power Rating** : 2.5A 250V~ Europe & North America  
7A 125V~ North America  
**Insulation Resistance** : 100M $\Omega$  Min, AT 500V DC  
**Electric Strength** : AC 2,000V for One Minute  
**Operating Temperature** : -25°C to +70°C  
**Main Unit Material** : Thermoplastic UL Flammability  
94V-0 & Copper Alloy



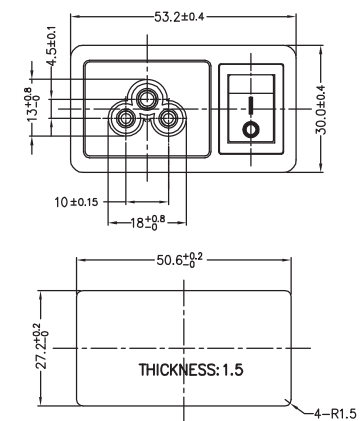
**PCB LAYOUT**  
THICKNESS 1.6mm



## 0724-SHVD15



**Power Rating** : 2.5A 250V~ Europe & North America  
7A 125V~ North America  
**Insulation Resistance** : 100M $\Omega$  Min, AT 500V DC  
**Electric Strength** : AC 2,000V for One Minute  
**Operating Temperature** : -25°C to +70°C  
**Main Unit Material** : Thermoplastic UL Flammability  
94V-0 & Copper Alloy



**PANEL CUT-OUT**  
Pre-wired available